





MONO

VANTOT

MONO

PRODUCED BY DCW EDITIONS
COLLECTION 2022

Mono is an elegant ceiling lamp composed of an LED orb that illuminates and balances a partly satin-finished glass halo. The on-off function and brightness of the light can be regulated by pinching a wand that extends from the light structure. The light is endowed with a memory for the brightness from the previous session, making it considerate and familiar to its users.

Mono is designed with glass that diffuses the light to create a comfortable and serene atmosphere. With gravity as its anchor, the halo is detached from the central orb, so that it can be slanted and adjusted according to your own likings. The adaptable functions complement the timeless and unique aesthetics, aligning Mono with Studio VANTOT's human-centered and long lasting design vision. The orb is available in two variable sizes, while the halo comes in three diameters.

MONO
model M400

VANTOT

MONO

POSITION THE SHADE IN DIFFERENT WAYS



MONO

MONO



MONO

VANTOT

DIM THE BRIGHTNESS
BY TOUCH

MONO

VANTOT



MONO

VANTOT



MONO

MONO
M400
L600

MONO
L500
L600 detail

info@vantot.com

VANTOT

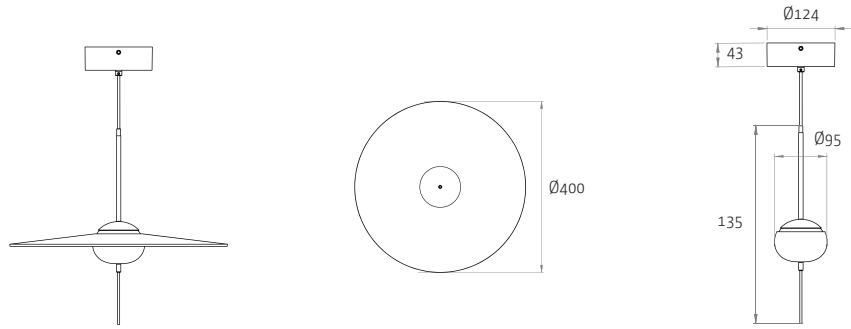


MONO SPECS

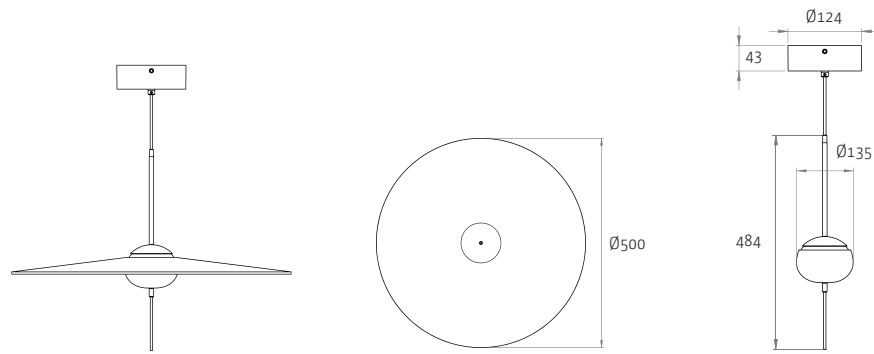
CODES	#349 - MODEL M400
	#370 - BODY MODEL M400
	#356 - MODEL L500
	#363 - MODEL L600
	#387 - BODY MODEL L500 + L600
LIGHT SOURCE	MODEL M400
	LED Integrated
	8 W, 840 lm
	2700K
	MODEL L500, MODEL L600
	LED Integrated
13 W, 1300 lm	
2700K	
DIMENSIONS	MODEL M400
	Diameter : 400 mm, height : 360 mm
	Cable length : 3000 mm
	Net. weight : 1,9 kg
	MODEL L500
	Diameter : 500 mm, height : 484 mm
	Cable length : 3000 mm
	Net. weight : 3 kg
	MODEL L600
Diameter : 600 mm, height : 484 mm	
Cable length : 3000 mm	
Net. weight : 3 kg	
MATERIALS	Aluminium, glass
DIMMABLE DRIVER	Integrated driver supplied (65 x 50 x 27,5 mm) 500mA / 24V, dimmer not included

TECHNICAL DRAWINGS

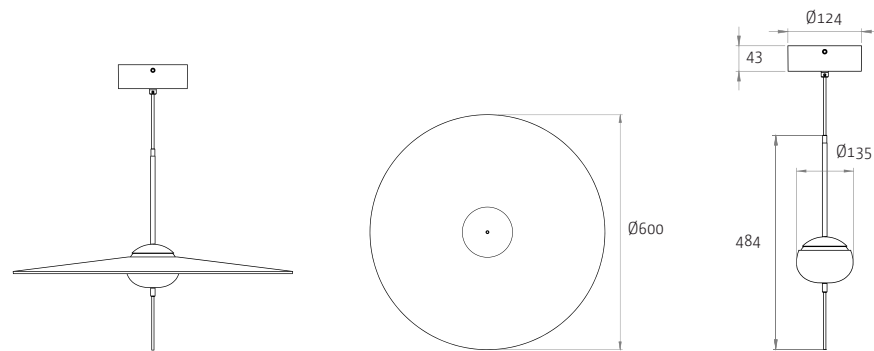
This collection offers 3 different versions. Each version is differentiated by its diameter, from 400, 500, to 600 diameters.



MODEL M400, shade 400 mm, body M



MODEL L500, shade 500 mm, body L



MODEL L600, shade 600 mm, body L



MONO

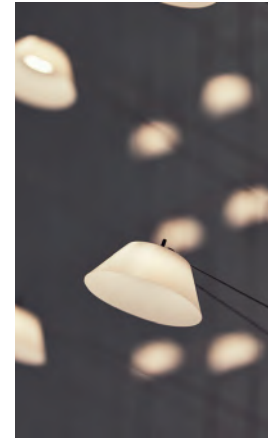
MONO

DISCOVER

VANTOT works in translating innovative and experimental ideas into refreshing applications, products, and installations. Sometimes, products are made on request as a project. We are specialized in lighting and also creating other products in different categories which will be shown in the following content.

Click on the image for more information, catalog, high resolution photo's, technical info and 3D-files.

INDOOR LIGHTING



LIU



V-V-V



O-O-O

CUSTOM INSTALLATIONS



CUSTOM O-O-O
A Stellar Light Installation
Australia



CUSTOM LIU
CLUB ACE
the Netherlands



CUSTOM V-V-V
Mexico



LIMPID LIGHTS



COSMOS



EXPLODED VIEW

VANTOT; CONTRIBUTING TO THE TRANSITION OF LIGHT

SAM VAN GURP & ESTHER JONGSMA



VANTOT

For Dutch duo VANTOT, it's all in the name. Literally translated from Dutch to mean 'from to', VANTOT focuses on the entire process, starting with a technique and ending with the product. The pair strives to find new applications for innovations in everyday life, and it's not only new-found technologies which have seized their interest. Serving as a guiding light in the duo's work, antiquated techniques are put to good use in modern day outlets, mutually benefiting from today's updated knowledge base.

Take electricity. Although light bulbs have been around for centuries, innovations – such as the rise of the LEDs – have made continuous evolution possible. And today, electronic devices operate on much lower voltages than ever before, significantly decreasing its hazardous aspects. While direct contact with electricity – and light – used to be a no go, recent developments illuminate completely new realms for the old technology.

