







## MONO

COLLECTION 2022

Mono is an elegant ceiling lamp composed of an LED orb that illuminates and balances a partly satin-finished glass halo. The on-off function and brightness of the light can be regulated by pinching a wand that extends from the light structure. The light is endowed with a memory for the brightness from the previous session, making it considerate and familiar to its users.

Mono is designed with glass that diffuses the light to create a comfortable and serene atmosphere. With gravity as its anchor, the halo is detached from the central orb, so that it can be slanted and adjusted according to your own likings. The adaptable functions complement the timeless and unique aesthetics, aligning Mono with Studio Vantot's human-centered and long lasting design vision. The orb is available in two variable sizes, while the halo comes in three diameters.

The Mono lamps were created with the support of DCW Editions.

MONO  
collection 2022

# INTERGRATED TOUCH DIMMER SWITCH



MONO

MONO





MONO

DIM THE BRIGHTNESS  
BY THE  
SLIGHTEST TOUCH

MONO



MONO

**VANTOT**



MONO  
M400  
L500  
L600

[info@vantot.com](mailto:info@vantot.com)

**VANTOT**

MONO



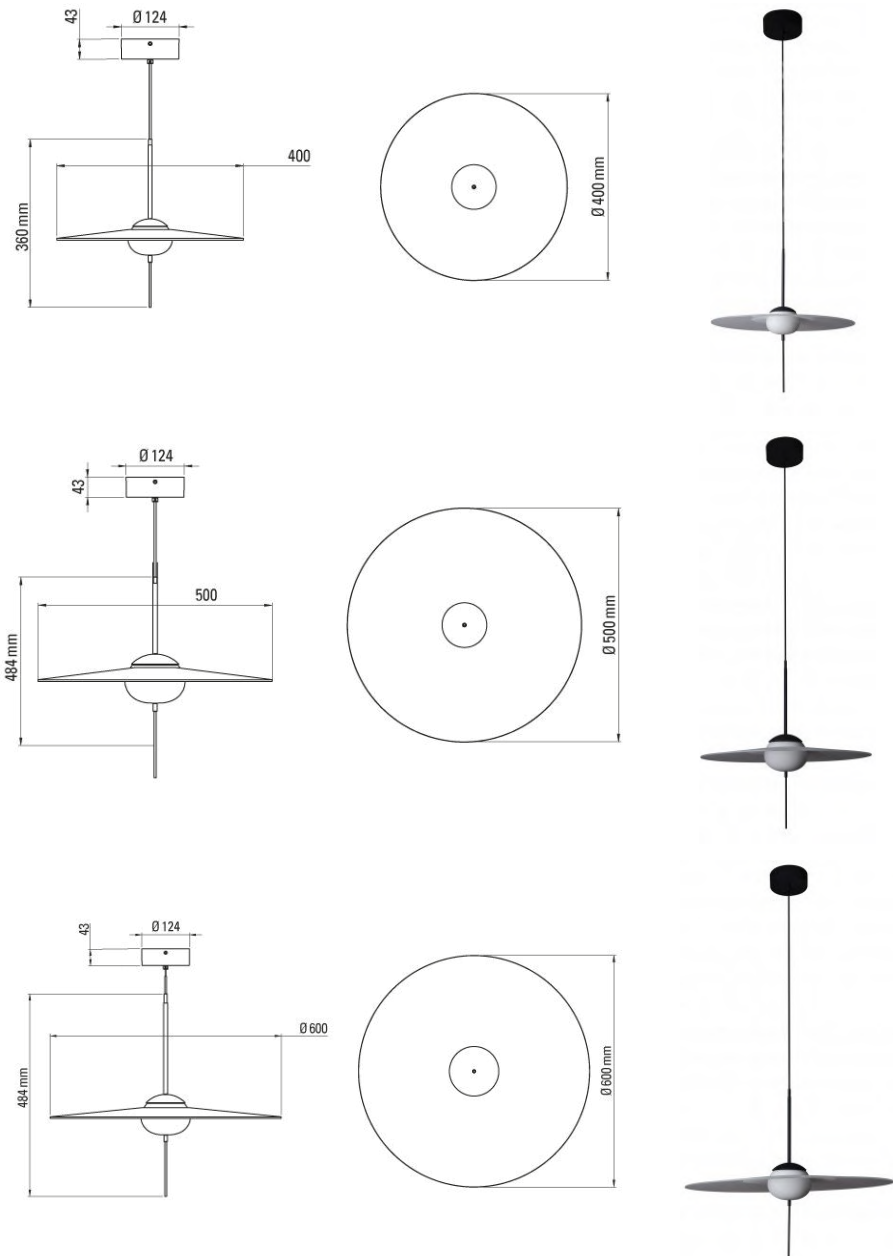


## MONO

LIGHT SOURCE	13 W Integrated LED 2700K, dimmable 1300 lm
CLASS	2
PRODUCT USE	Indoor
DIMENSIONS	MODEL M400 Diameter: 400 mm Height: 360 mm Cable: 3000 mm  MODEL L500 Height : 484 mm Diameter : 500 mm Cable length : 3000 mm  MODEL L600 Height : 484 mm Diameter : 600 mm Cable length : 3000 mm
MATERIALS	Aluminium, glass
DRIVER	Integrated driver supplied (65x50x27,5mm) 500mA / 24V
IP	20
NET WIGHT	3,8 kg.
WIRE	Length: 3 m.
SWITCH	On the lamp

## TECHNICAL DRAWINGS

This collection offers 3 different versions. Each version is differentiated by its diameter, from 400, 500, to 600 diameters



MONO



MONO

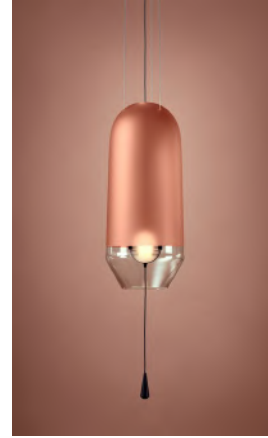


## DISCOVER

VANTOT works in translating innovative and experimental ideas into refreshing applications, products, and installations. Sometimes, products are made on request as a project. We are specialized in lighting and also creating other products in different categories which will be shown in the following content.

Click on the image for more information, catalog, high resolution photo's, technical info and 3D-files.

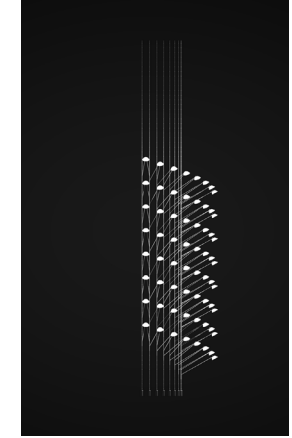
## SPECIALS



COLORED LIMPID LIGHTS



O-O-O



FLOATING LIGHTS

## INTERIOR



V-V-V



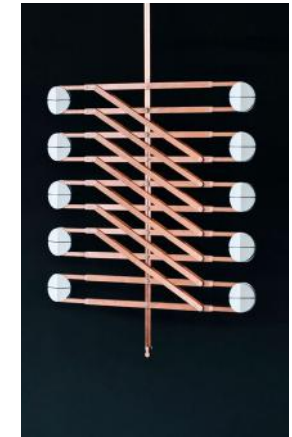
LIMPID LIGHTS



EXPLODED VIEW



FEATHER



POLAR PLAY



# VANTOT; CONTRIBUTING TO THE TRANSITION OF LIGHT

SAM VAN GURP & ESTHER JONGSMA



## VANTOT

For dutch duo VANTOT, it's all in the name. Literally translated from Dutch to 'from to', VANTOT focuses on the entire process, starting with a technique and ending with the product. The pair strives to find new applications for innovations in everyday life, and it's not only new found technologies which have seized their interest. Serving as a guiding light in the duo's work, antiquated techniques are put to good use in modern day outlets, mutually benefiting from today's updated knowledge base.

Take electricity. Although light bulbs have been around for centuries, innovations - such as the rise of the LEDs - have made continuous evolution possible. And today, electronic devices operate on much lower voltages than ever before, significantly decreasing its hazardous aspects. While direct contact with electricity - and light - used to be a no go, recent developments illuminate completely new realms for the old technology.

