

0-0-0



VANTOT

## 0-0-0

EDITION Unlimited

PRODUCT USE Indoor

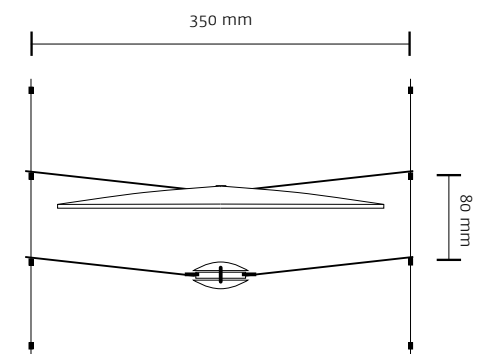
DIMENSIONS Element: 350 x 300 x 80 mm (l x w x h)  
Choose composition.

VERSIONS Standard | finish : Stainless steel / Acrylic

MATERIALS/FINISH Module  
 Standard | finish : Stainless steel  
 Acrylic  
 with stainless suspension cables and stainless assembly

RAIL & CANOPY Black  
 \* White color on request.

PACKAGE Per Module  
 1 BOX 500 x 700 x 50 mm  
 Net weight standard 200 grams (per module)  
 Net weight special 600 grams (per module)



0-0-0

info@vantot.com

VANTOT

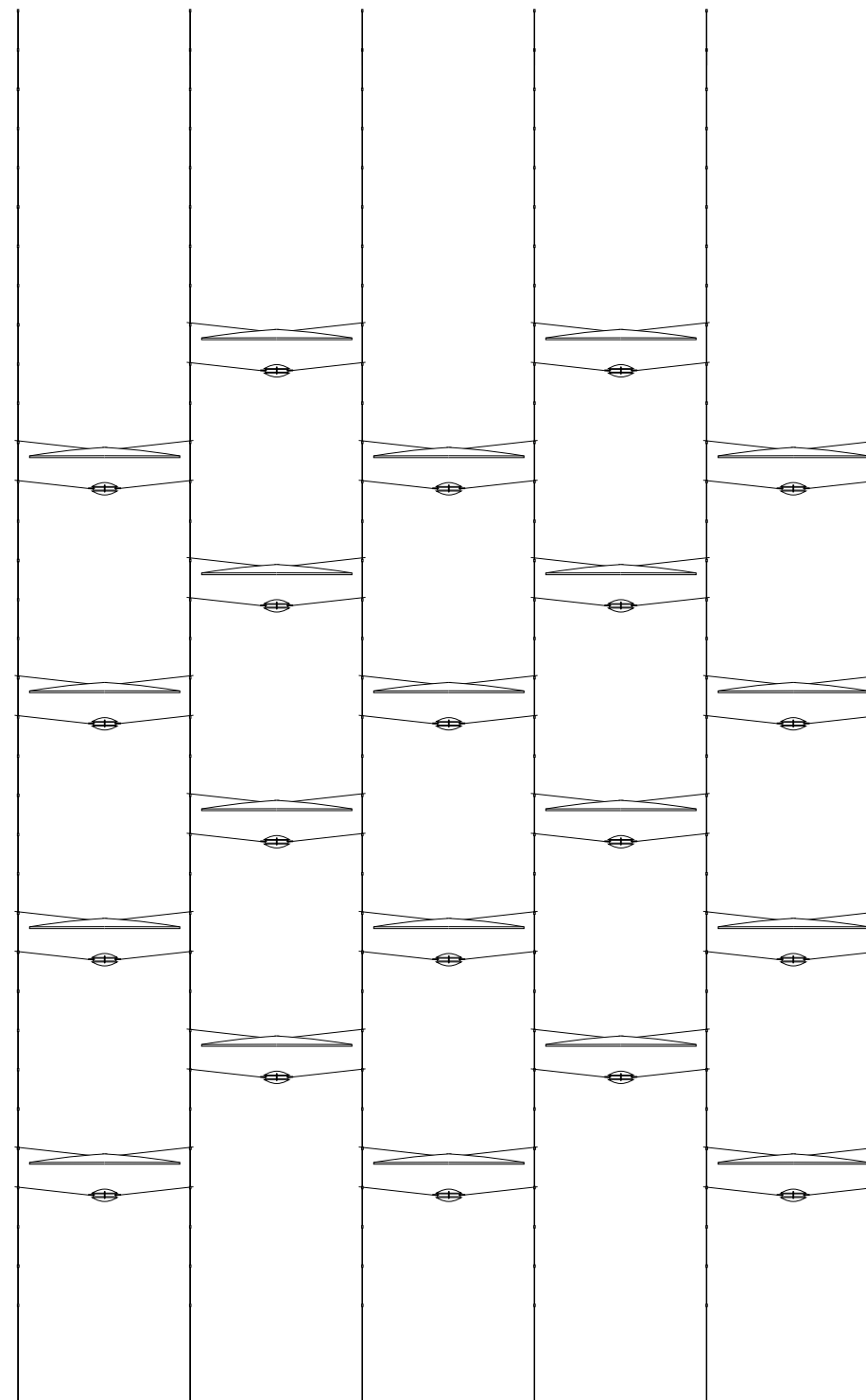
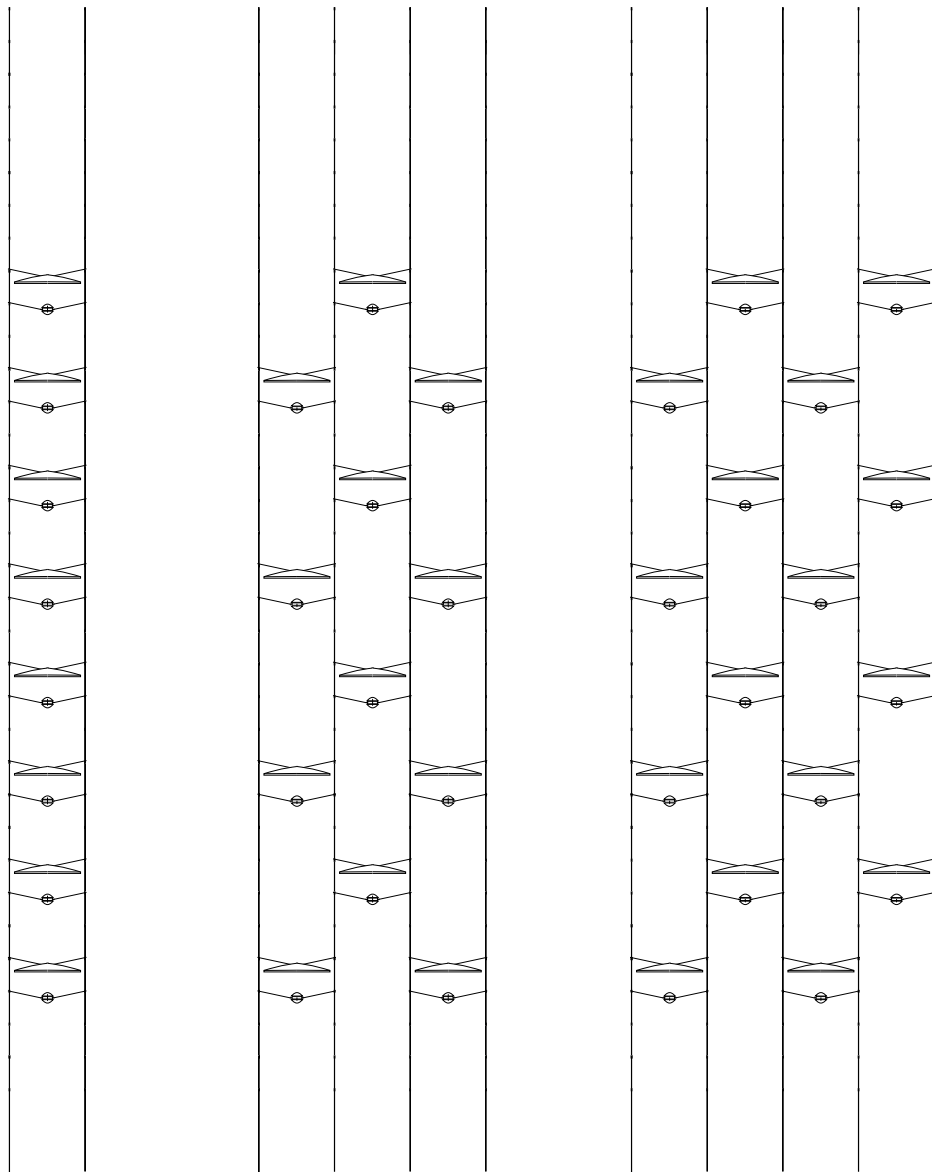
# COMPOSITION

## suggestions

0-0-0 gives you endless possibilities in compositions.

Choose the number of modules and suspension wires to your wishes and vary in shapes and sizes. It is possible to add modules and wires to your collection in a later stage due to the modular railsystem.

0-0-0



0-0-0